

Redacted Summary: Full document including market overview, exemplary players and product, and possibly EOUs available upon request. Contact: carlos@dynaipdeals.com

Haley SmartCar Patent Portfolio for Sale

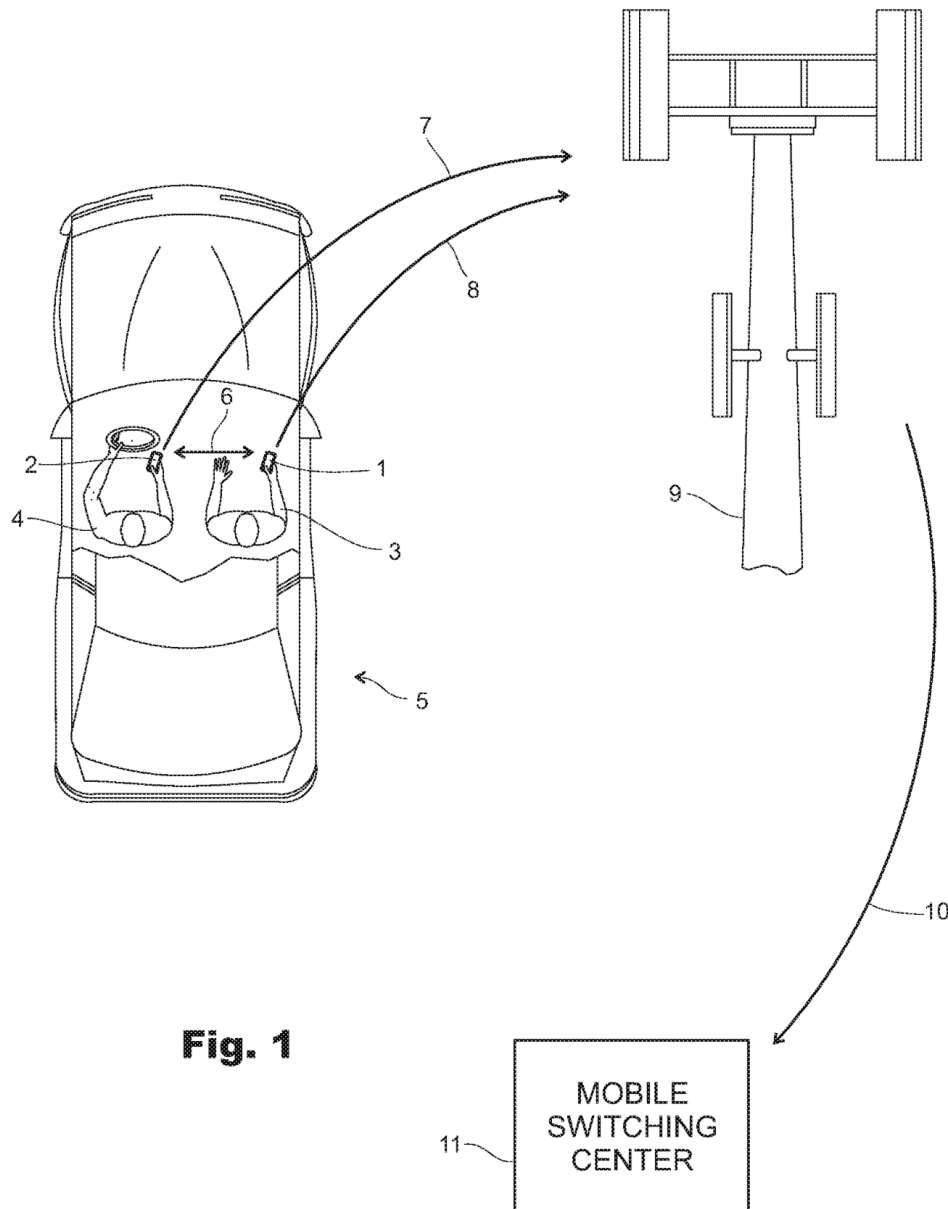


Fig. 1

Dynamic IP Deals LLC is pleased to present exclusively a select group of patents for sale from Jeff Haley on a private placement basis. The patents concern monitoring vehicle drivers.

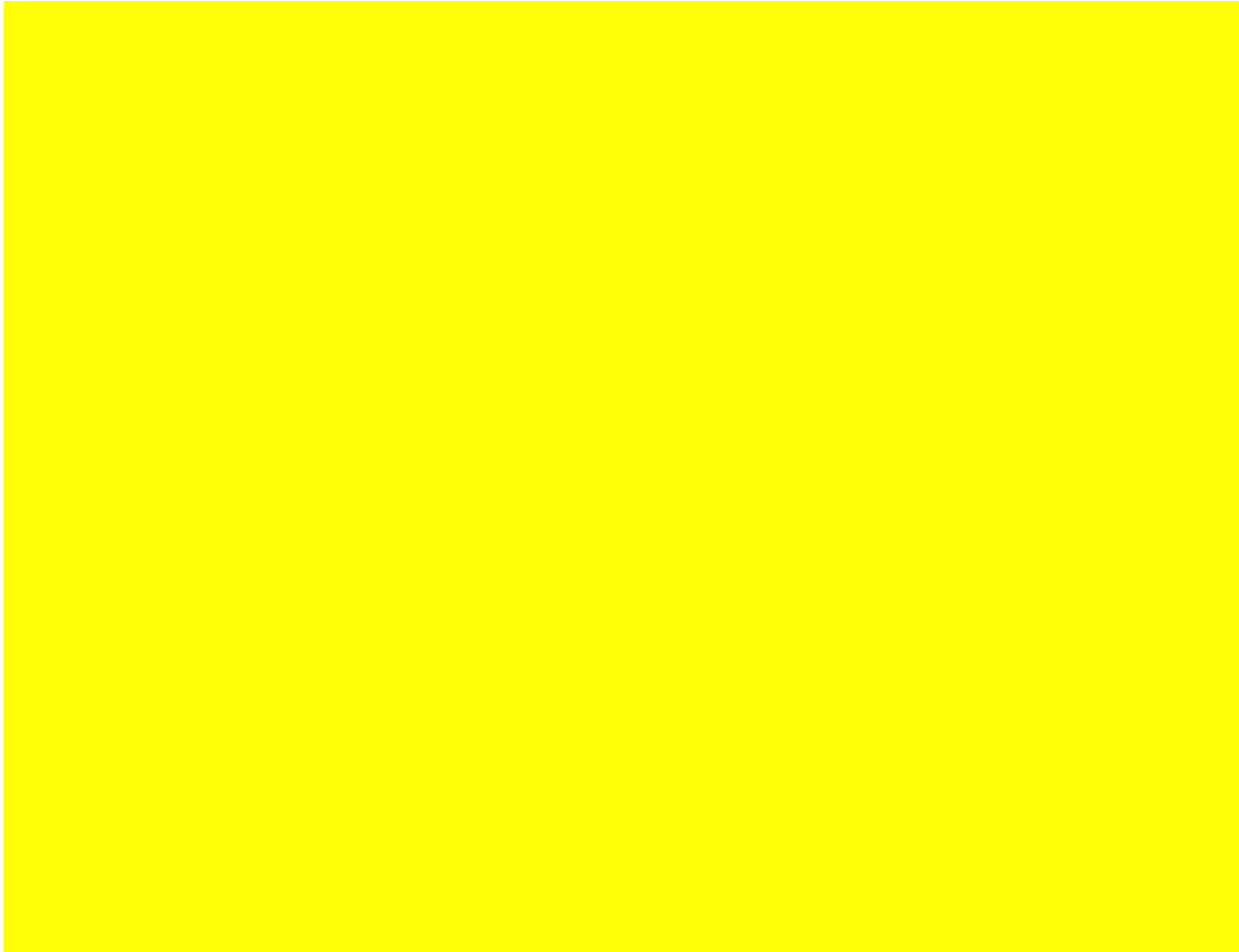


OVERVIEW

The patents are related generally to:

- monitor vehicle drivers with a camera
- before completing a call to a moving driver, query the caller
- detect presence of two people in a vehicle
- modify function of driver's phone during acceleration or braking
- modify voice calls with a moving driver to reduce distractions

FAMILY ID	PUBLICATION NUMBER	TITLE	STATUS	PRIORITY DATE	ANTICIPATED EXPIRATION
#2	US10531294 (B2)	Modify voice calls with a moving driver to reduce distractions	Active	2009-11-04	2030-07-15
#2	US10827059 (B2)	Detect presence of two people in a vehicle	Active	2009-11-04	2030-07-15
#2	US8442490 (B2)	Modify function of driver's phone during acceleration or braking	Active	2009-11-04	2031-05-16
#2	US9100824 (B2)	System to monitor vehicle drivers with a camera	Active	2009-11-04	2030-07-15
#2	US9769663 (B2)	Before completing a call to a moving driver, query the caller	Active	2009-11-04	2030-07-15



SELLER'S REQUIREMENTS

- Seller reserves the right to remove assets from the subject opportunity in the event that Seller decides to litigate rather than to sell.
- There are no restrictions on the nature of the buyer and Jeff Haley seeks no control of the acquirer's future use of the assets.
- Grant back is necessary.

TARGET PRICE	DEADLINE

CONTACT INFORMATION

For more information, please contact Carlos O. Gorrichategui III, PhD, President of Dynamic IP Deals LLC:

Phone/WhatsApp: +1(832) 264-7790

Skype: drcogiii

Email: carlos@dynaipdeals.com